

# OPPC 1740T

17" TFT SXGA 4:3 Fanless Open Frame PC with Intel Atom® E3826, 1.46GHz,  
Touch Screen, 4GB DDR3L, 3x USB, 2 x COM and VGA



## Main Features

- 4:3 17" XGA fanless LED panel computer
- Intel Atom® E3826, dual core, low power consumption CPU
- PS2 KB/ MS/ Line-out/ dual GbE/ 3 x USB
- 2 x RS232/ 422/ 485/ 2nd display-VGA/ 2 x mini-PCIe sockets/ 1 x CFast
- Remote power switch
- DDR3L 4GB/ 2.5" HDD bracket
- Support JMobile HMI and CODESYS SoftLogic (optional)
- Mounting support: panel/ wall/ stand/ VESA 100mm x 100mm
- Wide range power input 12~30VDC

## Product Overview

Incorporated a 17" 4:3 touch screen LCD panel with resolutions up to 1024 x 768 (XGA) and 420 nits brightness. It is specially designed with bezel-less display which allows customers to design front bezel according to their application requirements without any limitation. The OPPC 1740T are fanless Panel PC based on the Atom® E3826 processor. The OPPC 1740T supports WWAN/WLAN expansion and others via dual Gigabit Ethernet connectors, two Mini-PCIe slots and one SIM card holder.

With support for wide power input of 12V~30V, OPPC 1740T can gain a strong foothold in industrial field and machine devices. In addition, OPPC 1740T can hook 2nd display via a VGA port for dual independent display. OPPC 1540T has two isolated RS232/422/485 ports.

## Specifications

### Panel

- LED Size: 17", 4:3
- Resolution: SXGA 1280 x 1024
- Luminance: 350cd/m<sup>2</sup>
- Contrast ratio: 1000
- LCD color: 16.7M
- Viewing angle: 80(U), 80(D), 85(L), 85(R)
- Backlight: LED

### Touch

- 5-wire resistive
- Light transmission: 80%
- Interface: USB

### System

- CPU: On-board dual core Intel Atom® processor E3826 1.46GHz, 1M L2 Cache
- Processor: Intel® Celeron® J1900 processor, 4C, 2.0GHz, 2MB Cache (optional)
- BIOS: AMI BIOS
- System memory: 2 x 204-pin DDR3L SO-DIMM socket, 4GB DDR3L (default), support up to 8GB DDR3L-1066/1333, non-ECC and un-buffered
- Storage Device:
  - 1 x external locked CFast socket

- 1 x hard drive bay: optional 1 x 2.5" SATA HDD or 1 x SATA DOM
- Watchdog timer: Watchdog timeout can be programmable by software from 1 second to 255 seconds and from 1 minute to 255 minutes (tolerance 15% under room temperature 25°C)
- H/W status monitor: Monitoring system temperature, and voltage
- Expansion: 2 x mini-PCIe sockets (support optional Wi-Fi or 3.5G module)

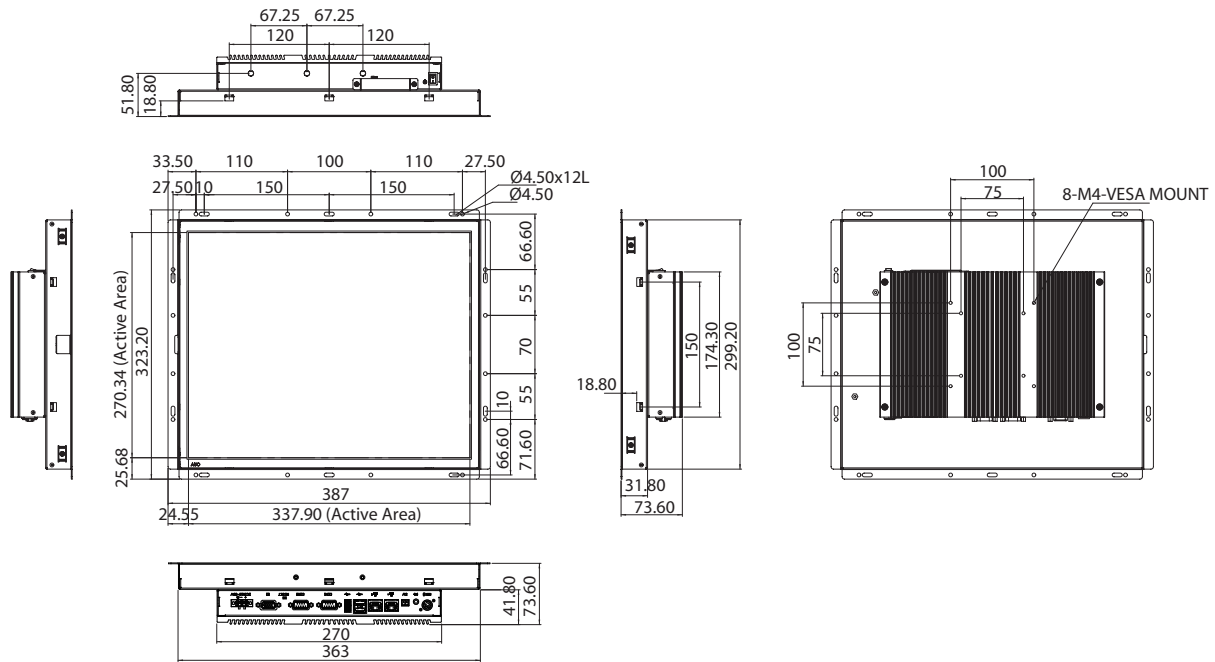
### Rear I/O

- PS2 keyboard/mouse
- Audio port: 1x Line-out
- Remote power switch
- Ethernet: 2x RJ45
- USB: 2 x USB 2.0; 1 x USB 3.0
- COM #1: RS232/422/485
- COM #2: RS232/422/485
- Reset button
- 2nd display VGA port: 1 x DB15
- Power switch

### Audio

- AC'97 codec: Realtek ALC886-GR
- Audio interface: Line-out/Line-in (optional)/MIC-in (optional) audio Jack

## Dimension Drawing



### Ethernet

- LAN chip: dual Intel® I210AT Gigabit LAN
- Ethernet interface: 10/100/1000 Based-Tx Ethernet compatible

### Mechanical & Environment

- Mounting: Panel/wall/stand/VESA 100mm x 100mm
- Power input: 12~30VDC
- Power adapter: Optional AC to DC power adapter (+12V, 60W)
- Vibration:
  - IEC 68 2-64 (w/ HDD)
  - 1Grms @ sine, 5~500Hz, 1hr/axis (HDD Operating)
  - 2Grms @ random condition, 5~500Hz, 0.5hr/axis (Non-operating)
- Shock:
  - IEC 68 2-27
  - HDD: 20G@wall mount, half sine, 11ms
- Operating temperature: -5°C to 50°C
- Storage temperature: -20°C to 75°C
- Operating humidity: 10%~90% relative humidity, non-condensing
- Dimension: 387 x 323.2 x 73.6mm
- Weight: 5.6 kg

### Certifications

- CE approval
- FCC Class A

### OS Support Lists

- Windows 8 32bit/64bit
- Windows 7 32bit/64bit
- WinCE 7.0

## Ordering Information

### Barebone

- **OPPC 1740T (P/N: 90IQ1740T00X0)**  
17" XGA LED backlight touch panel PC with Intel Atom® E3826 1.46 GHz, touch screen, 4GB DDR3L with 2 x RS232/ 422/ 485

### Options

- **12V, 60W AC/DC power adapter w/o power cord (P/N: 7400060031X00)**